



1

Refract competently with the Combi 400.

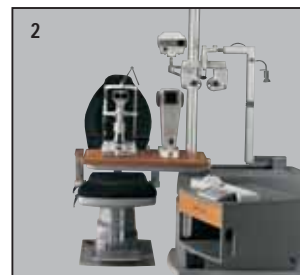
The Combi 400 is an impressive refraction unit with its luxurious material choice and high-class design. The arm rests and the foot rests are made in solid aluminum and give the unit a sophisticated impact. Arm rests with wooden accents correlate with the finish featured on the instrument table. Additionally, the stylish refraction chair is covered with black Alcantara® leather. With Combi 400 beauty is not just skin deep. All important operations are operated electromotively using a user-friendly control panel. Two light sources create the optimal illumination of the entire working environment. The net result is a system that aims at satisfying all of your needs.

- > High-class design and luxurious choice of material
- > Two variants: right and left orientated execution
- > Electromotive handling
- > Clear control panel for all functions
- > Extensive overhead illumination
- > Direct illumination for reading tests ideal for Low Vision

The instruments table of the Combi 400

The height-adjustable instruments table of the Combi 400 is completed in high-class wood. The instruments table is equipped for up to two instruments and all movements of the instruments table can be navigated by the electromotive control panel, moving the instruments into position effortlessly and silently.

- > Linear instruments table in high-class wood for two instruments
- > Electromotively height adjustable
- > Electromotive feed forward of the instruments table
- > Automatic powering of the instruments during positioning



2



3



4



5

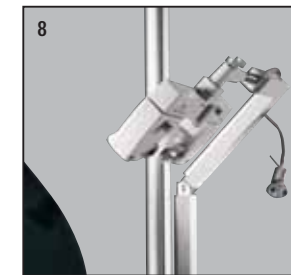


6

- 1 Table in rest position
- 2 Table in position 1
- 3 Table in position 2
- 4 Phoropter in position
- 5+6 Table height adjustment



7



8

Phoropter operation with the Combi 400

When a phoropter is used for refraction the height adjustable phoropter arm is put into the proper position electromotively. The phoropter can also be tilted to facilitate a comfortable angle for reading, which is further assisted by way of an additional light source to illuminate the reading test type.

- > Linear feed forward of the Phoropter arm
- > Electromotive height adjustable Phoropter arm
- > Tilting Phoropter arm for comfortable reading position



9



10

The comfort refraction chair of the Combi 400

The comfortable refraction chair is electromotively height adjustable, as well as forward and backward adjustable to move the patient to the desired position in a quick and secure manner. For special cases the backrest can be reclined and the arm rests can be pivoted. The refraction chair can also be pivoted away to allow easy access for patients in a wheelchair.

- > Comfortable refraction chair with stylish Alcantara® covering
- > Electromotively height adjustable refraction chair
- > Refraction chair is pivotable and tiltable
- > Foot rest and arm rest can be folded-away if wanted
- > Automatic security-switch to protect the patient
- > Moveable to permit wheel chair access



11

7+8 Tilting phoropter arm

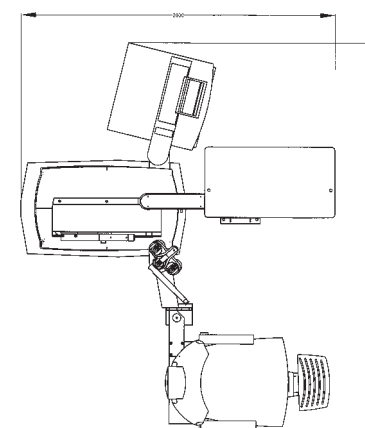
9 Comfortable refraction chair

10 Wheel chair access

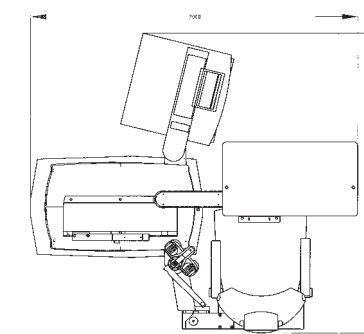
11 Drawer for accessories

Chair

Min. seat height	53 cm
Max. seat height	72 cm
Inclination	70° adjustable-tilt
Seat adjustment	16 cm back & forward
Arm rest	pivotable



Wheelchair access



Stool in Position



The qualitative,
functional Refraction unit.

Combi 400

Technical Details

Versions

Right- and left-oriented version	with integrated lamp in phoropter arm and on projektor pillar, electrical operated instruments table and refraction chair
Refraction chair Drawer	with control desk, drawers for a notched frame to house trial lenses, deposition shelf departments

Measures

Height	ca. 2000 mm incl. projektor and lamp
Height of swivel table	870 mm
Height of rotating table	640 mm
Length of connecting cable	3000 mm

Maximum load capacity of the swivel table

Per workplace	Position 1 max. 15 kg Position 2 max. 25 kg
---------------	--

Electrical Data

Supply voltage	230 V ~
Max. power consumption	5,7 A / 4,5 A
Transformer for extra low voltage supply of the instruments	Output 150 VA secondary 6, 9, 12 Volt

Subject to changes within the scope of technical development.

Accessories

- > Desk with 5 drawers grey (right and left orientated execution)
- > Desk with 5 drawers Korpus: grey; worktop, drawers: Beech (right and left orientated execution)
- > Notched frame for trial lenses set
- > Color Clips for drawers (colors: Beech, blue, red)
- > Supporting stand for the operator panel of the automatic Phoropter

For further information on Combi 400 and Rodenstock Instruments please call us. We would be pleased to inform you.

Buchmann Deutschland GmbH Distributed by:
Administration Jägerstraße 58
D-40231 Düsseldorf
Telefon +49-211-21 04-0
Telefax +49-211-21 04-251
info@briot-weco.com
www.briot-weco.com